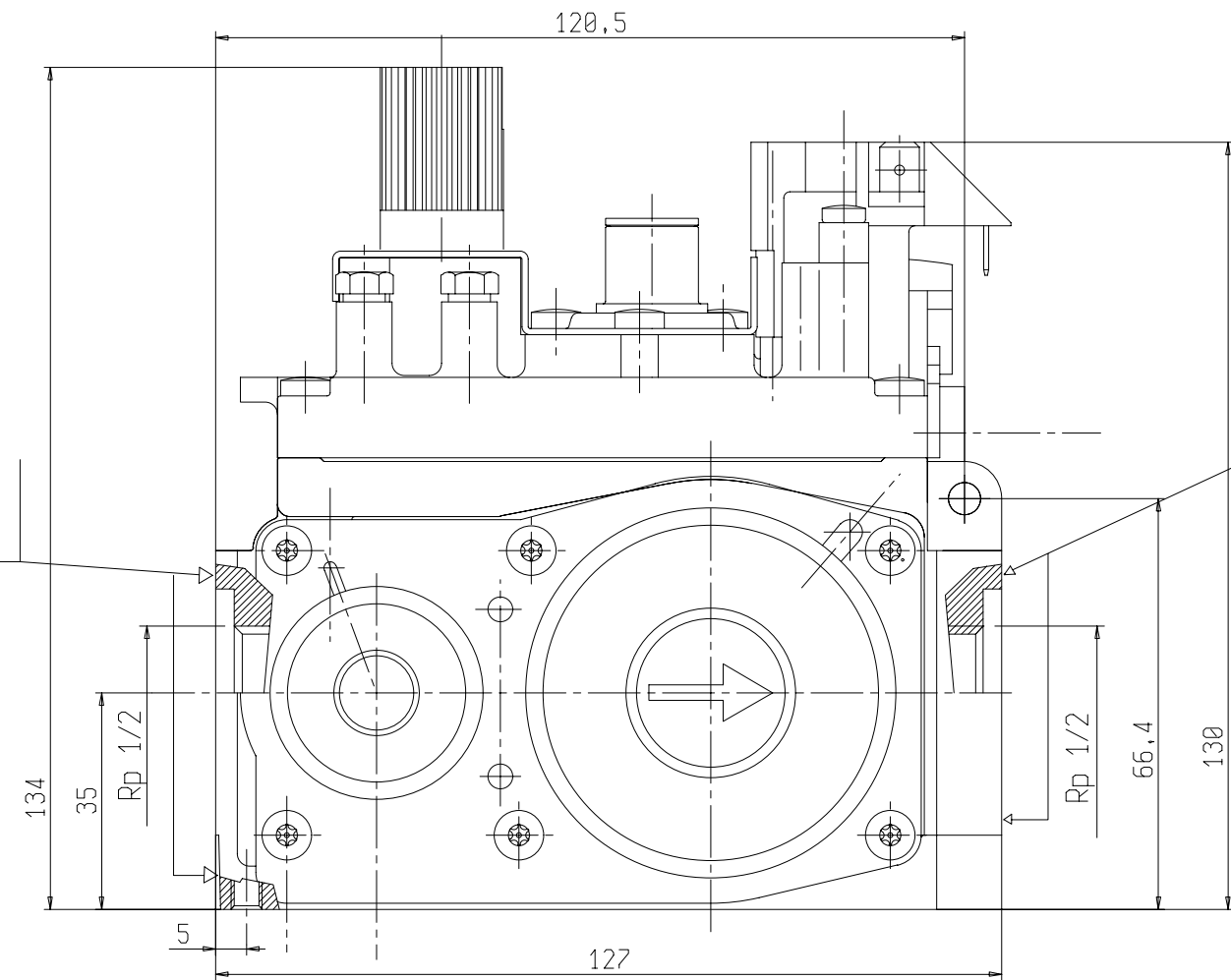
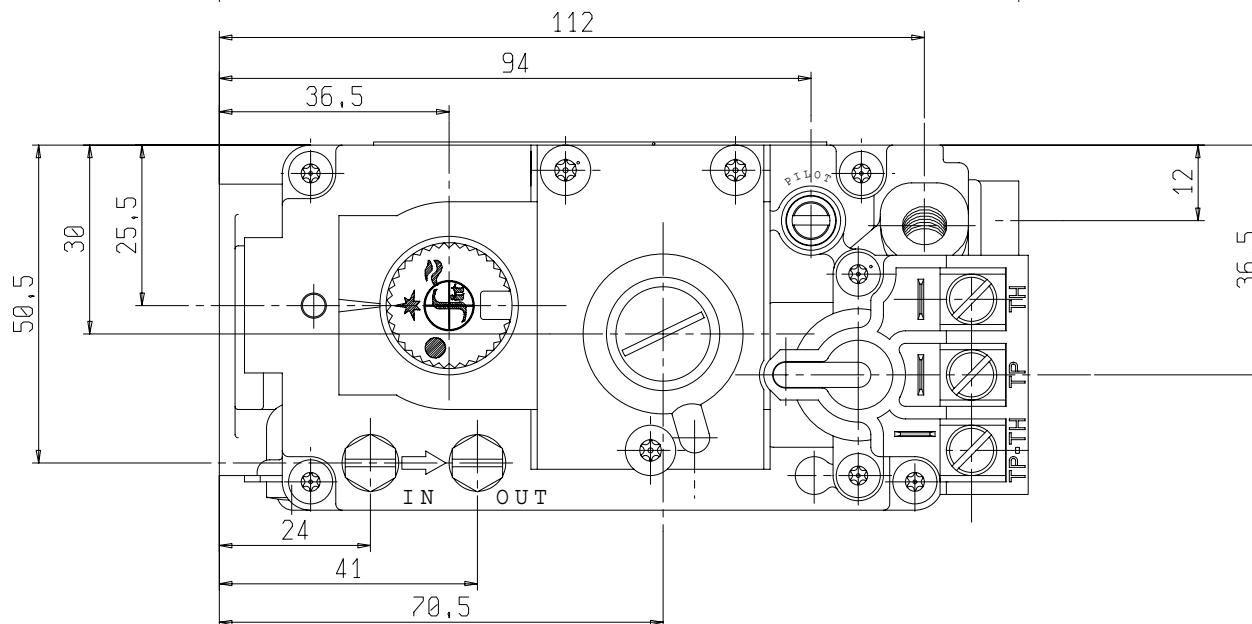


Acettable dents up to 0,2 mm depth and 1,5 mm width passing throught



Acettable dents up to 0,2 mm depth and 1,5 mm width passing throught



DIMENSIONS BETWEEN [...] ARE IN INCHES DIMENSIONS WITHOUT TOLERANCE ARE INDICATIVE

NOME FILE (.DRW)

MODIFICATION	Rev.	Mod.N°	Date	Insert acettable ...	Description	Name	De Iulio,	Drawn	26-06-98	De iulio	Description	Dimostrativo 820 mV EUROPA		Release Level
								Date		Name	Technical Information			
											Material	Scale	1 : 1	ISO
											Material Condition			
											Heat Treatment	Replaces Dwg N°		
										Surface Treatment	I.M.		Frm. A3	
										Sealing Surface	Surface Hardness			
										This drawing may not be copied or disclosed to third person without permission of SIT. We are the owner of this drawing. La Precisa S.p.A. 35129 Padova (Italy) Viale dell'Industria 31/33		Sit Drawing N°	0 8 2 0 3 0 3	Rev.