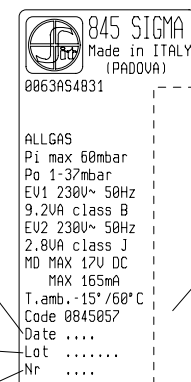
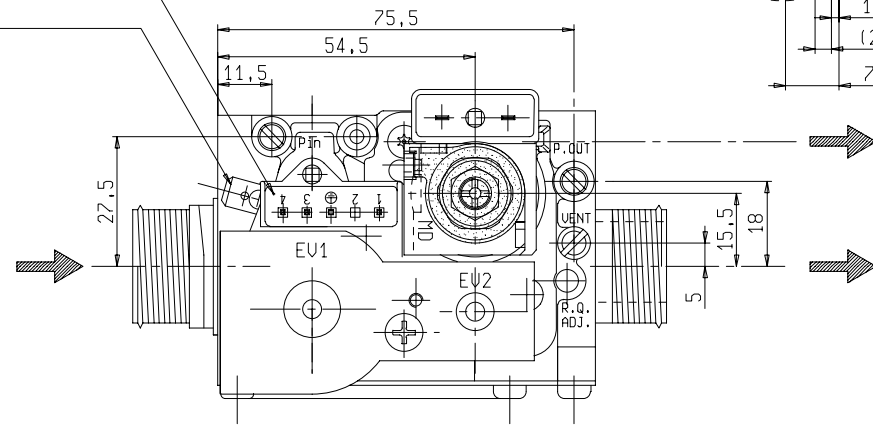


CONNESSIONI EV1/EV2 (compatibile con MOLEX 3001)  
 ATTACCO DI TERRA (Faston 6.35x0.8)



Dati etichetta  
 CODICE A BARRE

ULTIME 2 CIFRE DELL'ANNO  
 E N° SETTIMANA  
 N° DEL LOTTO  
 PROGRESSIVO DEL LOTTO

DIMENSIONS BETWEEN [...] ARE IN INCHES  
 DIMENSIONS WITHOUT TOLERANCE ARE INDICATIVE

NOME FILE (.DRW) & dwg\_name

Rev.	Mod.N°	Date	Description	Name	Rev.	Mod.N°	Date	Description	Name

Drawn	28-03-01	Samperi	Description	845 SIGMA	Release Level	
Date		Name	Technical Information		Scale	1:1
			Material		ISO	
			Material Condition		Replaces	
			Heat Treatment		Dwg N°	
			Surface Treatment		I.N.	
			Sealing Surface		Surface Hardness	
					SIT Drawing N°	0845057
					Rev.	

