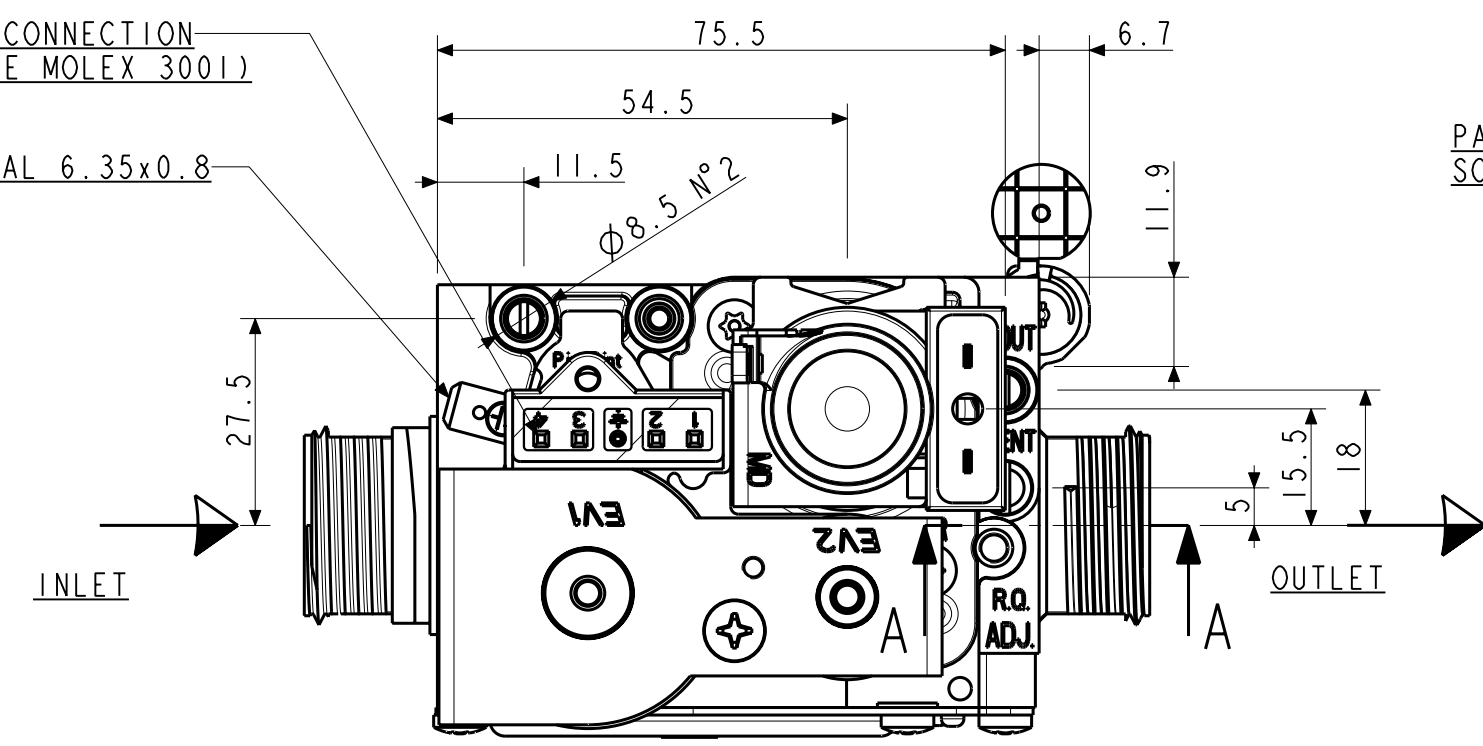
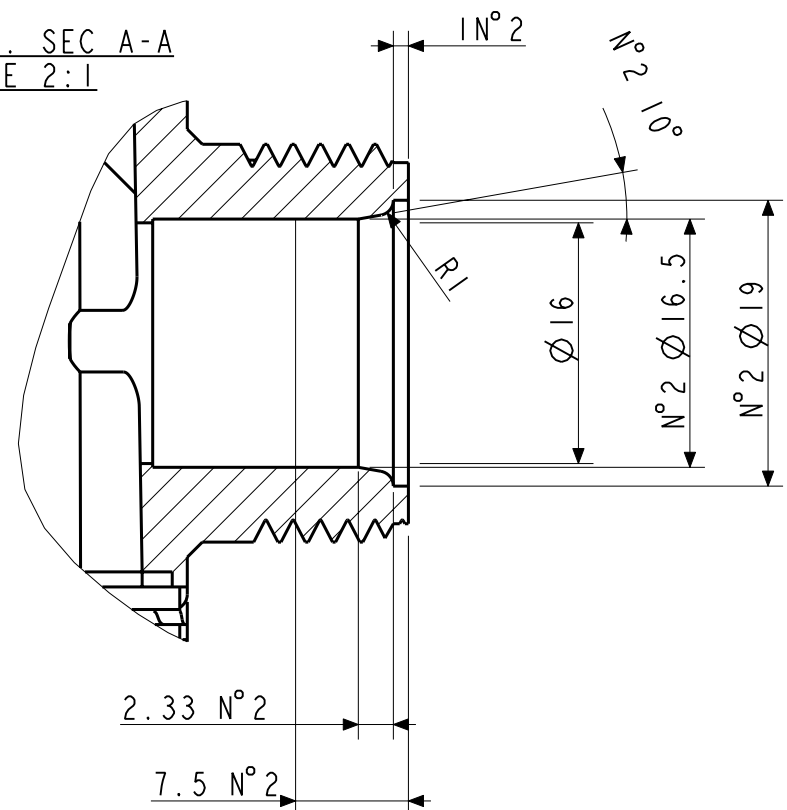


EVI-EV2 CONNECTION (SUITABLE MOLEX 3001)
EARTH TERMINAL 6.35x0.8



PART. SEC A-A
SCALE 2:1



843 SIGMA
Made in ITALY (PADOVA)
0063AS4831

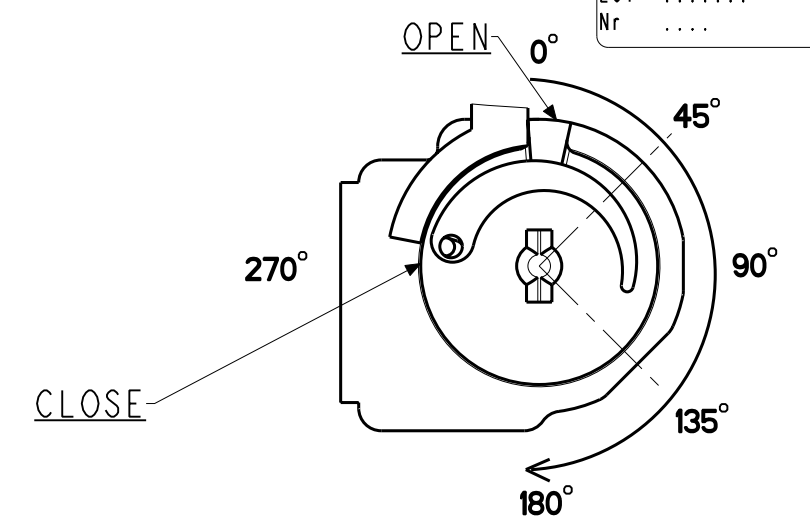
BAR CODE

CODE

YEAR/WEEK

BATCH NUMBER

ALLGAS
Pi max 60mbar
Po 4-40mbar
EVI 230V- 50Hz
9.2VA class B
EV2 230V- 50Hz
2.8VA class J
SMD 230V-RAC 50Hz
T. amb. 0/60°C
Code 0843018
Date



DIMENSIONS BETWEEN [...] ARE IN INCHES. ALL DIMENSIONS ARE INDICATIVE

MODIFICATION
 NOME (F. ILLIE (N. ADREV))
 D843018A
 C 0 +

Rev. Mod. N°	Date	Description	Name	Rev. Mod. N°	Date	Description	Name

Drawn	27.02.07	G. ROSSO	843 SIGMA	Release Level	STUDIO
Date		Name		Ra	General Roughness
				Scale	1:1
				Replaces Dwg N°	Customer Drawing
				Code	0843018
				Frm.	A2

